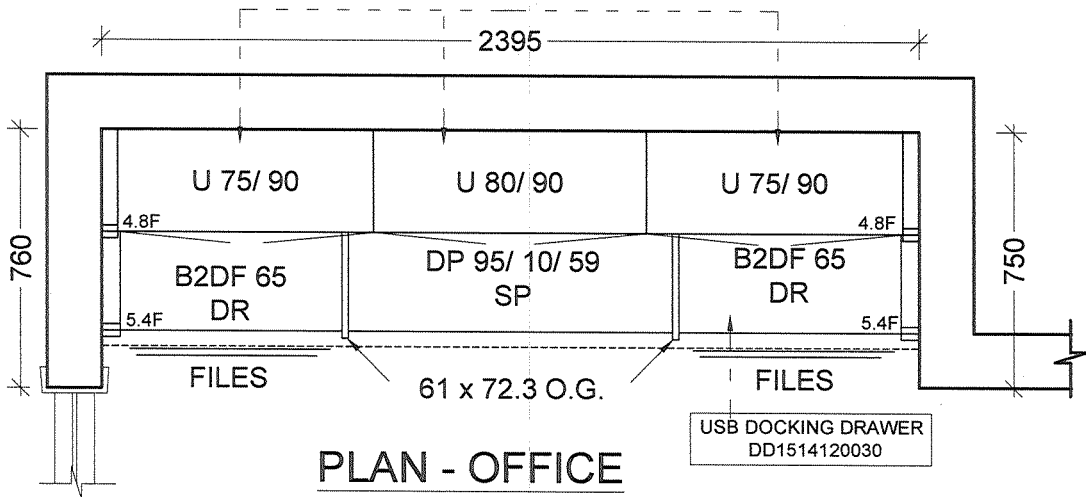


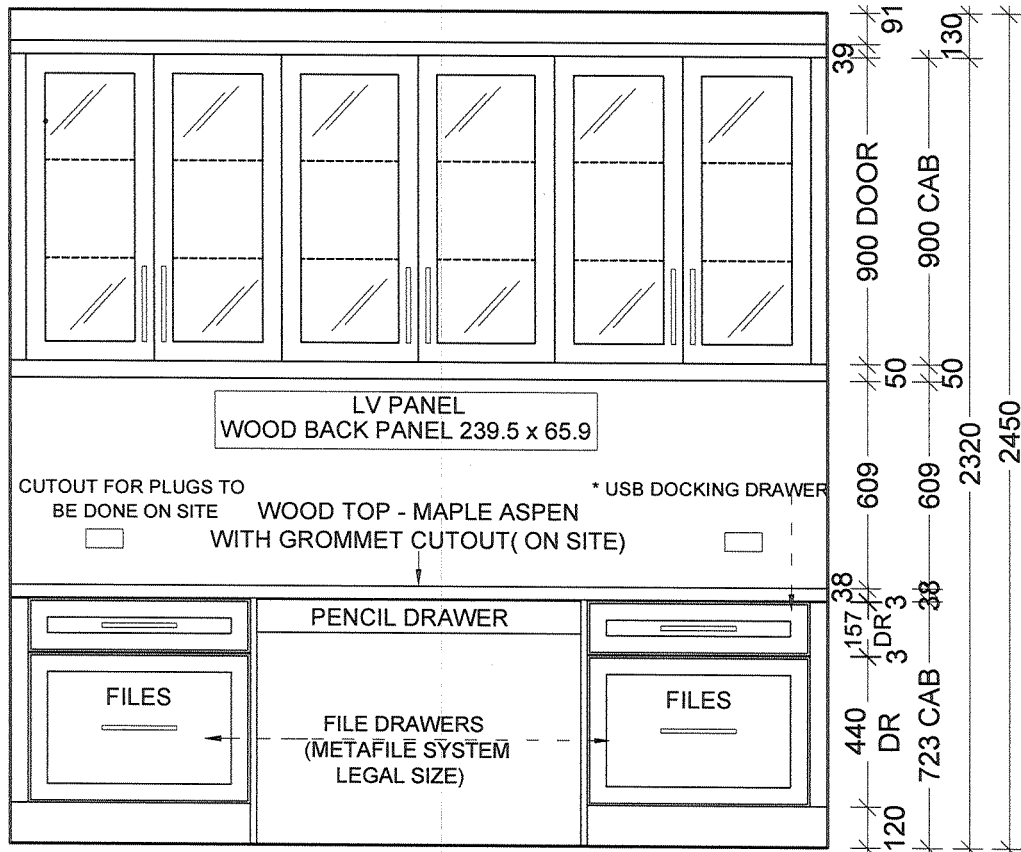
OFFICE ROOM

- PLAIN CLEAR GLASS DOORS
- MATCHING INTERIOR
- GLASS SHELVES
- BRASS GLASS SUPPORT CLIPS
- PUCK LIGHTS (6 PIECES)

- ① FLUSH FILLER
- ② LIGHT VALANCE + PANEL
- ③ CROWN DETAIL
- ④ COUNTER TOP
- ⑤ FILE DRAWER BOX
- ⑥ DOCKING STATION



PLAN - OFFICE



ELEVATION - OFFICE

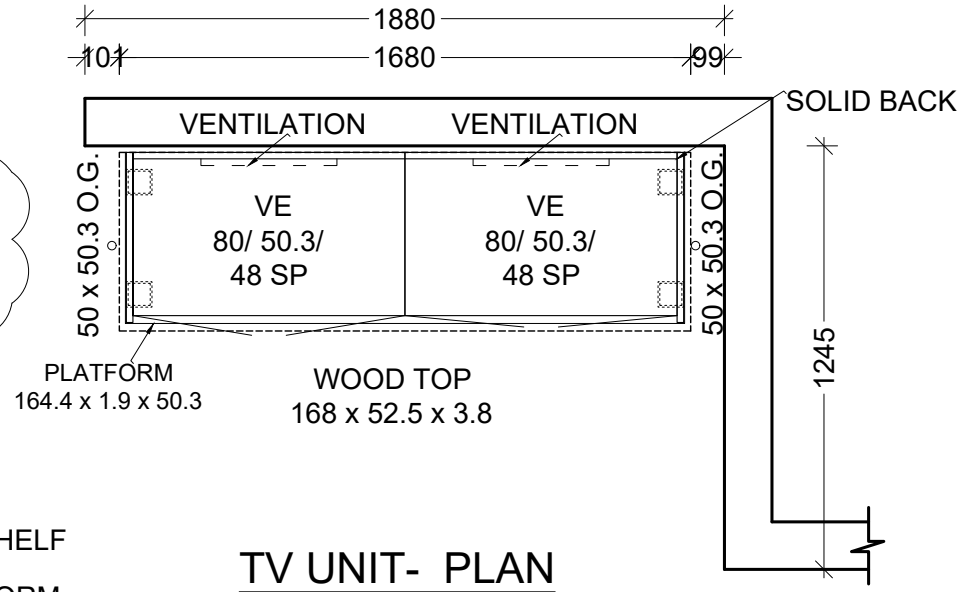
NOTE

- * GROMMET IN SATIN BRASS
- ** TRANSFORMER BEHIND FILE DRAWER

***NOTE* HANDLES ARE STANDARD DRILLING LOCATION**

WINDOW VALANCE:	WINDOW PANEL:	CEILING STRIP:	FURRING PANEL: 117 CM	CROWN MOULDING: MCLTSB-S	LIGHT VALANCE: MFLVFBLS-TS-S	MOUNTING HEIGHT: 232 CM	APPLIANCE SPECS:
KITCHEN STYLE: FLORENTNE	SPECIES: MAPLE	DOOR FINISH: ASPEN	HARDWARE: 86462US4	C/TOP: WOOD BY CORTINA	C/TOP PROFILE: 3.8 CM/ SQUARE	BUILDUP:	

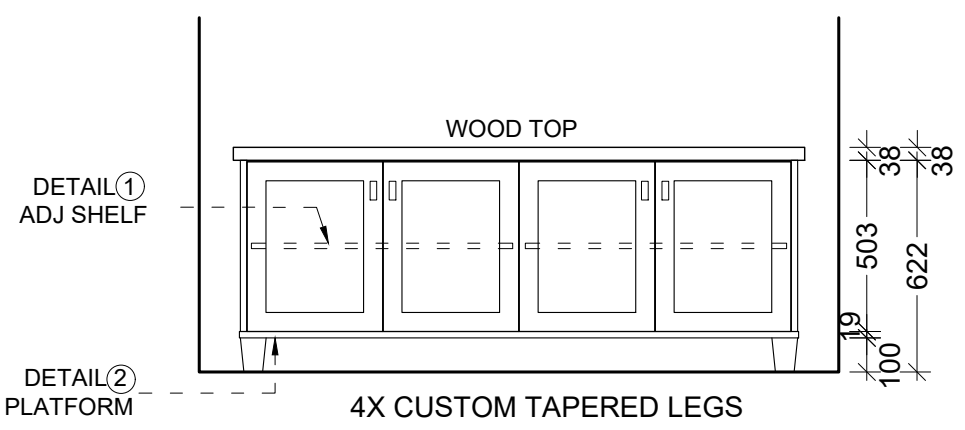
LIVING (TV UNIT) ROOM



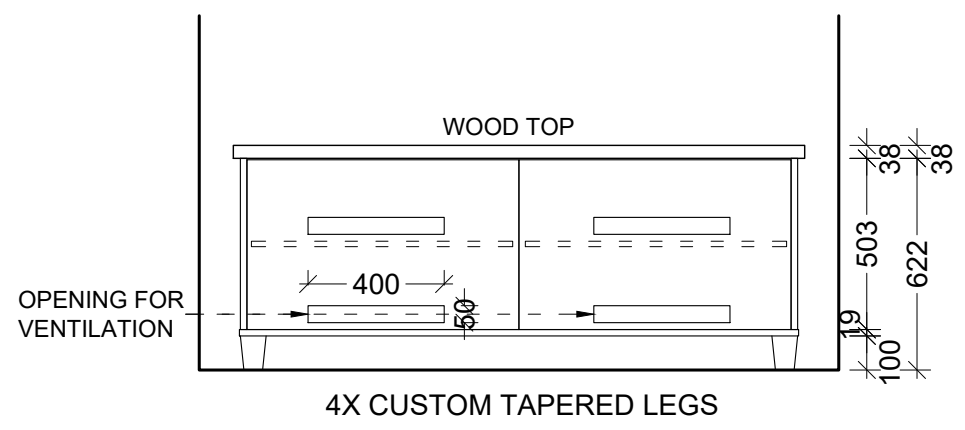
NOTE
LOOK
 *FURNITURE UNIT NOT ATTACHED TO WALL
 *MATCHING INTERIOR (RED OAK- SLATE)

- ① ADJ SHELF
- ② PLATFORM
- ③ COUNTER TOP

TV UNIT- PLAN



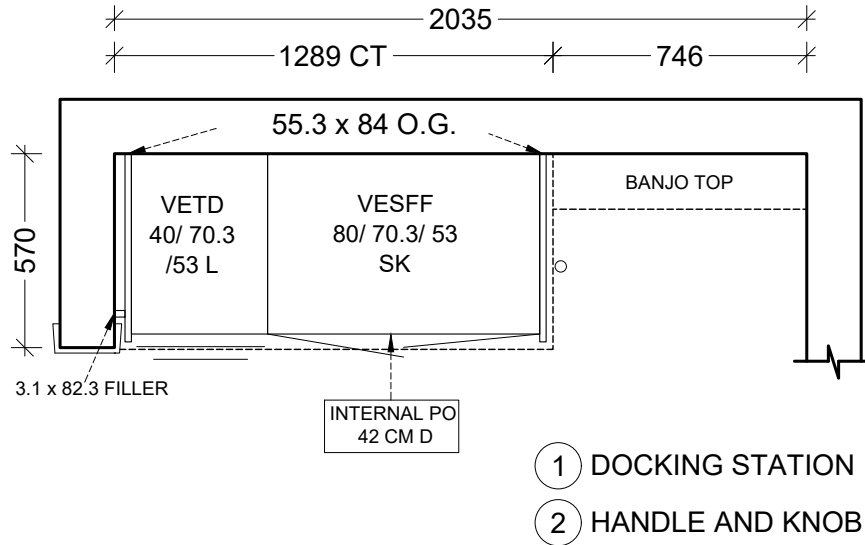
TV UNIT- FRONT ELEVATION



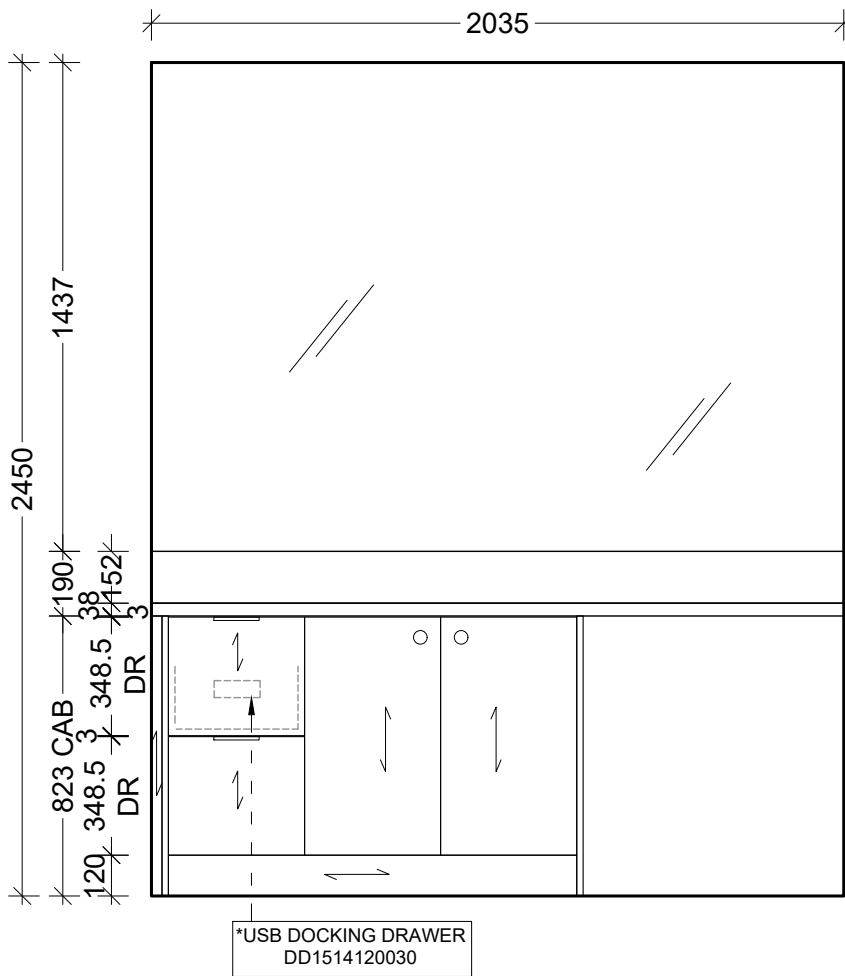
TV UNIT- BACK ELEVATION

*** NOTE:**
 KNOB IS STANDARD DRILLING LOCATION

WINDOW VALANCE:	WINDOW PANEL:	CEILING STRIP:	FURRING PANEL:	CROWN MOULDING:	LIGHT VALANCE:	MOUNTING HEIGHT:	APPLIANCE SPECS:
KITCHEN STYLE:	SPECIES:	DOOR FINISH:	HARDWARE:	C/TOP:	C/TOP PROFILE:	BUILDUP:	
FLORENTNE	RED OAK	SLATE	86446US4	WOOD BY CORTINA	3.8 CM/ SQUARE		



PLAN - MAIN BATHROOM



ELEVATION - MAIN BATHROOM

NOTE:

- * KNOBS SEE DETAIL FOR DRILLING
- * GROOVE HANDLE ON DRAWERS

WINDOW VALANCE:	WINDOW PANEL:	CEILING STRIP:	FURRING PANEL:	CROWN MOULDING:	LIGHT VALANCE:	MOUNTING HEIGHT: 82.3 CM	APPLIANCE SPECS:
KITCHEN STYLE: S303	SPECIES: RED OAK	DOOR FINISH: ASPEN	HARDWARE: KNOB 86449US4 PULL 87110US4	C/TOP: G.B.O	C/TOP PROFILE:	BUILDUP:	