

CORTINA

CUTTING: SHIPPING: CUSTOM:

REVISION DATE:

ASSEMBLY: DOORS:

HALA

CUSTOMER NAME:

RSR

WORK ORDER:

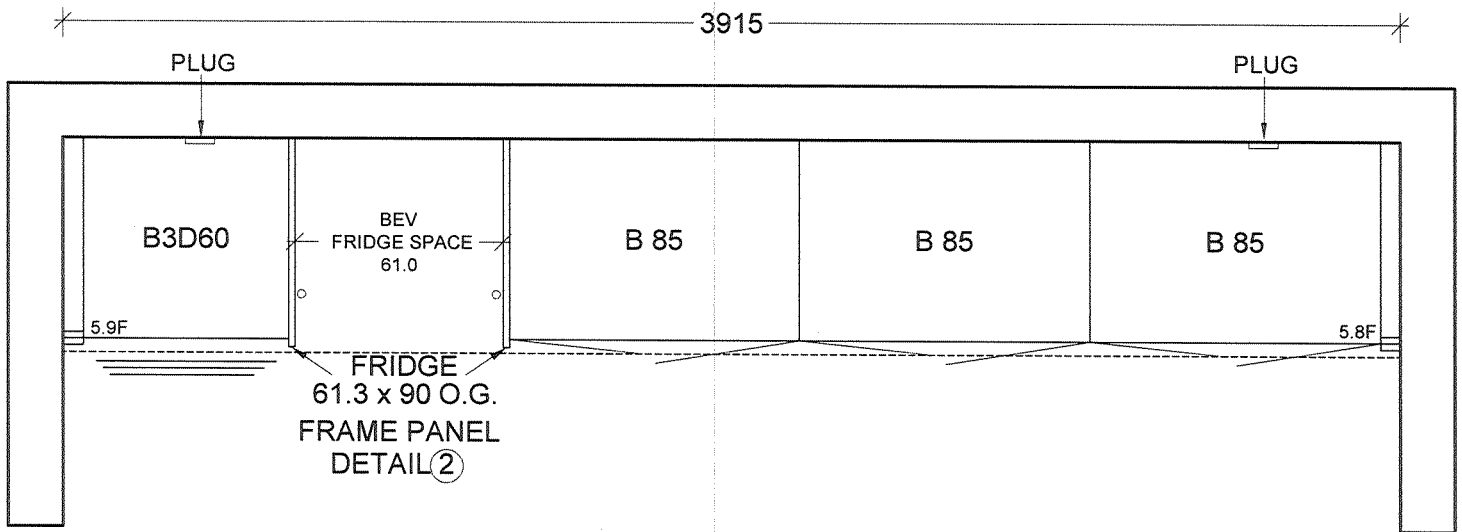
LOT #:

LAYOUT PAGES:

PAGE 1 OF 6

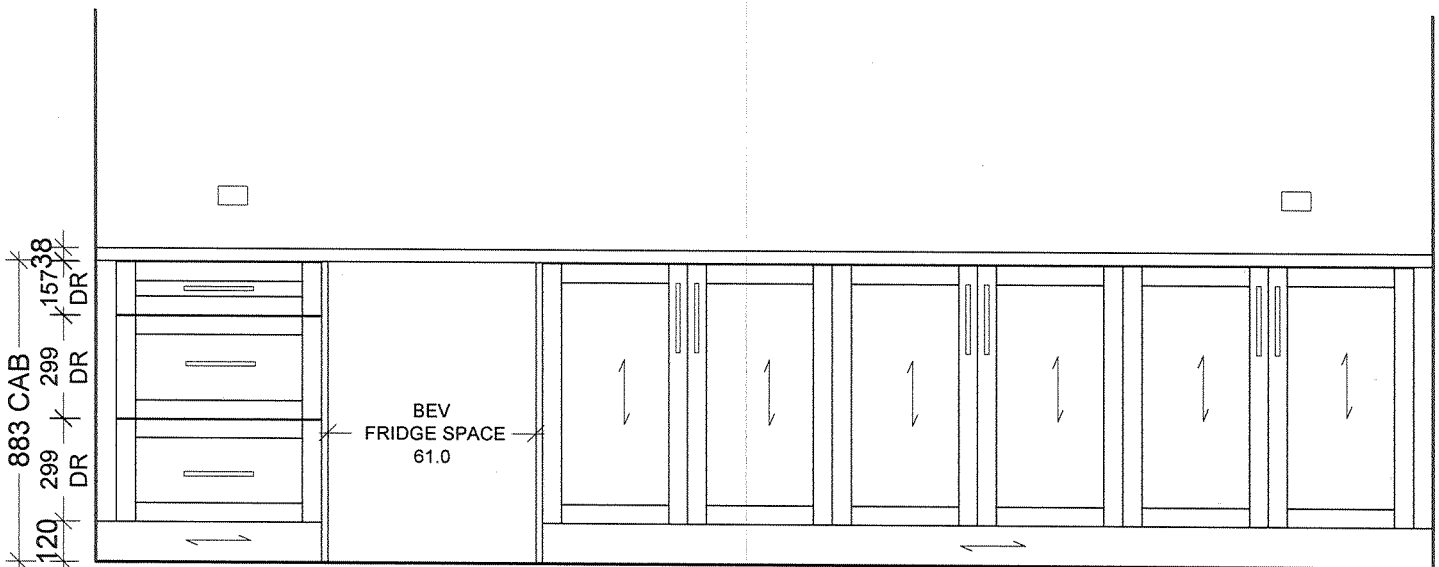
PART 7

BASEMENT FAMILY ROOM



PLAN

- ① FLUSH FILLER
- ② FRIDGE FRAME PANEL

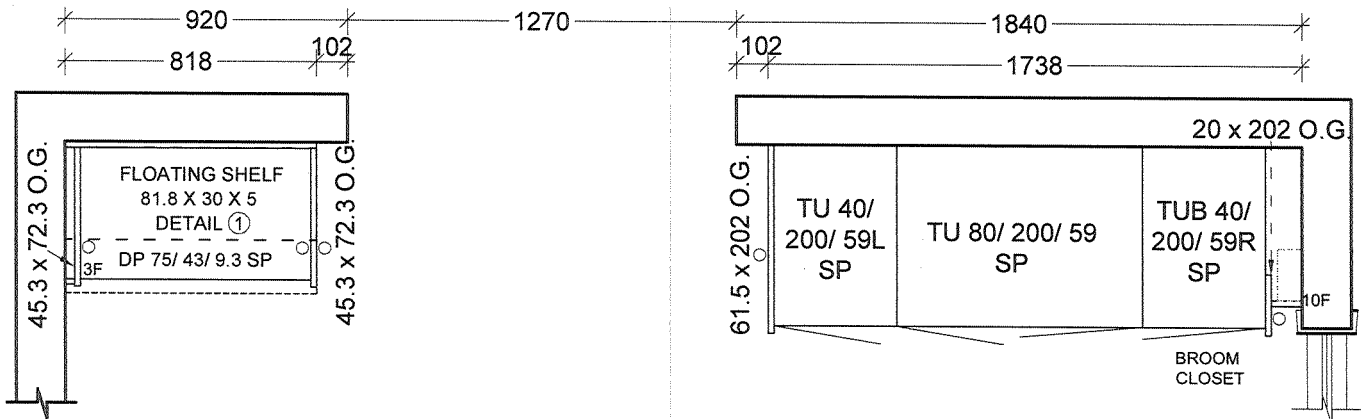


ELEVATION

* NOTE:
HANDLES ARE STANDARD
DRILLING LOCATION

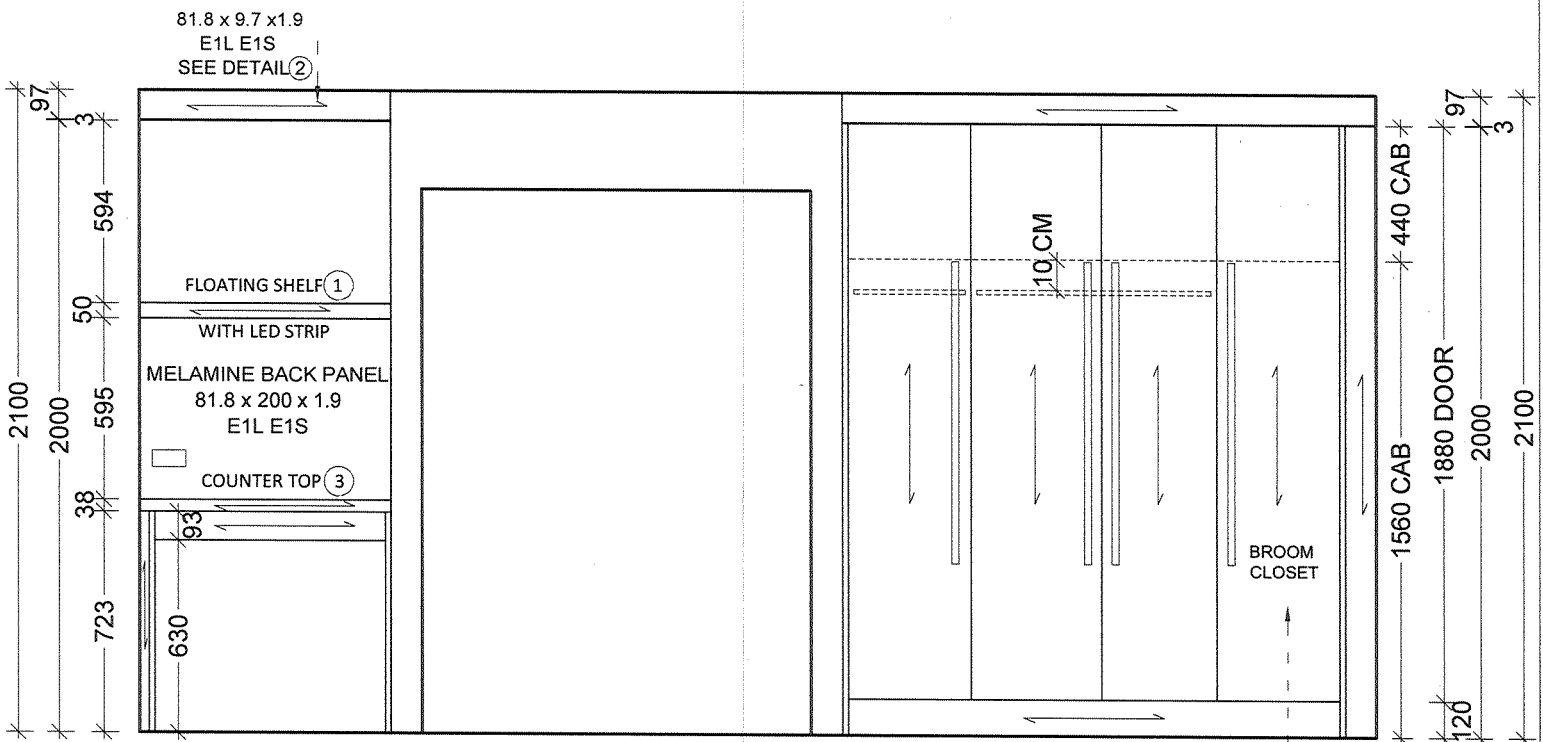
WINDOW VALANCE:	WINDOW PANEL:	CEILING STRIP:	FURRING PANEL:	CROWN MOULDING:	LIGHT VALANCE:	MOUNTING HEIGHT: 88.3 CM	APPLIANCE SPECS:
KITCHEN STYLE: M5	SPECIES: MEL /UNIBOARD	DOOR FINISH: K96 OMNIA TEKTONIK	HARDWARE: 86708US19	C/TOP: G.B.O	C/TOP PROFILE: 3.8 CM	BUILDUP:	

BASEMENT HALL ROOM



BASEMENT HALL PLAN VIEW

- ① FLOATING SHELF WITH GROOVE FOR STRIP LIGHT
- ② FURRING PANEL
- ③ COUNTER TOP



BASEMENT HALL- ELEVATION

INCLUDE 4 DOUBLE HOOKS

NOTE: HANDLE TO BE LOCATED IN CENTER

WINDOW VALANCE:	WINDOW PANEL:	CEILING STRIP:	FURRING PANEL: 10 CM	CROWN MOULDING:	LIGHT VALANCE:	MOUNTING HEIGHT: 200 CM	APPLIANCE SPECS:
KITCHEN STYLE: M1	SPECIES: MEL/ UNIBOARD	DOOR FINISH: L06 OMNIA ECRU	HARDWARE: PULL 84173	C/TOP: G.B.O	C/TOP PROFILE: 3.8 CM/ SQUARE	BUILDUP:	

CUSTOMER NAME:

RSR

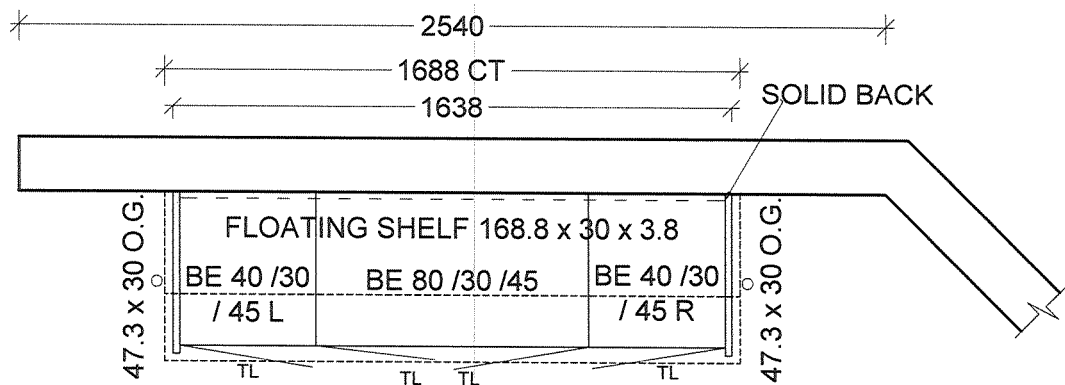
WORK ORDER:

LOT #:

LAYOUT PAGES:

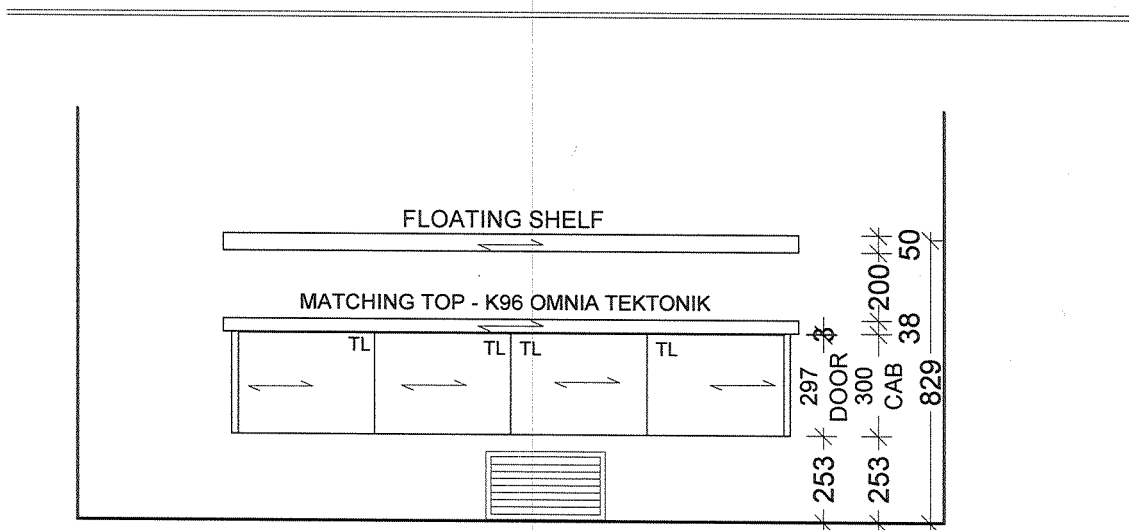
 PAGE 2 OF 6
PART 7

BASEMENT CONSOLE UNIT



PLAN

- ③ COUNTER TOP
- ④ FLOATING SHELF



ELEVATION

ADD 1 GROMMETS
ON SITE FOR DRILLING)

WINDOW VALANCE:	WINDOW PANEL:	CEILING STRIP:	FURRING PANEL:	CROWN MOULDING:	LIGHT VALANCE:	MOUNTING HEIGHT: 55.3 CM	APPLIANCE SPECS:
KITCHEN STYLE: M1	SPECIES: MEL /UNIBOARD	DOOR FINISH: K96 OMNIA TEKTONIK	HARDWARE: TL	C/TOP: MEL BY CORTINA	C/TOP PROFILE: 3.8 CM/ SQUARE	BUILDUP:	