

# CLIMA

BY LE PRESENT

2023/24

COMMERCIAL GRADE ROTOPLASTIC PLANTERS  
DESIGNED AND MADE IN CANADA.

**LE PRESENT**



## THIRD GENERATION FAMILY-OWNED

Le Présent is a third-generation family-owned wholesaler-importer committed to offering quality home decor accessories since 1967. Fifty-six years later, Le Présent has established itself as a leading trendsetter in Canada and across North America.

Behind Le Présent stands a team of designers with a passion for style and simplicity. Our search for the latest trends in indoor and outdoor home accessories takes us around the globe to source the best in materials and design. The Biagioni family is devoted to treating their customers like family.

  
Nicolas Biagioni, VP Design

  
Giuliano Biagioni, VP Marketing



## AN INNOVATIVE TECHNOLOGY FOR A NEW COLLECTION

The new **CLIMA** collection is exclusively fabricated with USA-made top quality linear low-density polyethylene (LLDPE). This type of resin has been used for many years in different outdoor applications such as kayaks, playground modules and pedal boats, making it a perfect material for both indoor and outdoor use in commercial, industrial, hospitality & residential settings.

The **CLIMA** planters are made and tested to withstand all climates from tropical sun and heat to cold, rugged Canadian winters. They can remain outside year-round without the garden soil having to be removed, while remaining as beautiful as day one. They require very little maintenance. After a few years, cleaning the planters with a water hose (or pressure washer) and mild soap will remove stains and debris.

### SUSTAINABILITY & RECYCLING



All plastic materials used in the **CLIMA** collection are entirely recyclable. The black planters are made of 100% recycled resin. Our manufacturing process does not produce any plastic waste and every part is replaceable should a break occur.

### BEST WARRANTY ON THE MARKET



**Le Présent** is proud to offer top quality products. Each component goes through an in-depth inspection process at every stage of manufacturing. Every component issued from the rotational moulding process is under a 5-year guarantee for material and manufacturing defects.



### SELF-WATERING SYSTEM

Minimal care for natural plants with water reserve and water level gauge.



### LIGHTWEIGHT

Maximum weight of 6 kg for the larger models.



### SHOCK RESISTANT

Resists hits and scratches. Drop-tested at 20 feet.



### STRONG UV PROTECTION

Resin certified 15 years.



### WEATHER RESISTANT

Guaranteed to resist temperatures ranging from -100F to +150F.



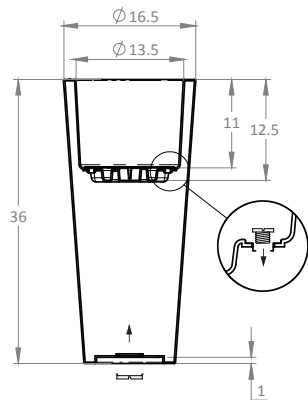
### EASY TO CLEAN

The light and rugged finish is easily wiped clean or hosed down.



### MADE IN CANADA

All **CLIMA** planters are proudly designed and manufactured in Canada

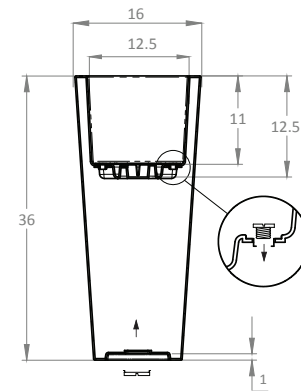
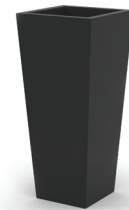


**P100**  
**CONE PLANTER - 36"**

Modern and timeless conical planter. False bottom for natural plants with removable plugs for drainage. Commercial ready.

**5-YEAR WARRANTY**  
**ALL-WEATHER RESISTANT**  
**DRAINAGE KIT INCLUDED**

**P100** **CONE PLANTER - 36"** 36" x 16.5" x 16.5" LPC199



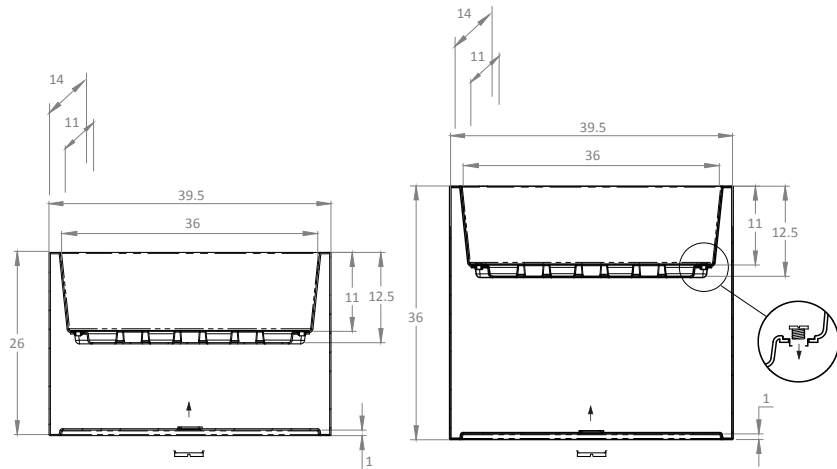
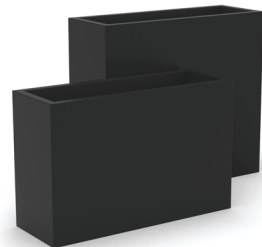
**P105**  
**TAPERED PLANTER - 36"**

The perfect tapered planter. False bottom for natural plants with removable plugs for drainage. Commercial ready.

**5-YEAR WARRANTY**  
**ALL-WEATHER RESISTANT**  
**DRAINAGE KIT INCLUDED**

**P105** **TAPERED PLANTER - 36"** 36" x 16" x 16" LPC225





**P110**  
**LOW BOX PLANTER - 26"**

**P115**  
**HIGH BOX PLANTER - 36"**

Straight line, angular flowerbox duo for indoor and outdoor commercial projects. Unbreakable and frost-resistant, ensuring long-term durability. False bottom for natural plants with removable plugs for drainage.

**5-YEAR WARRANTY**  
**ALL-WEATHER RESISTANT**  
**DRAINAGE KIT INCLUDED**

<b>P110</b>	<b>BOX PLANTER - 26"</b>	26" x 39.5" x 14"	LPC299
-------------	--------------------------	-------------------	--------

<b>P115</b>	<b>BOX PLANTER - 36"</b>	36" x 39.5" x 14"	LPC379
-------------	--------------------------	-------------------	--------



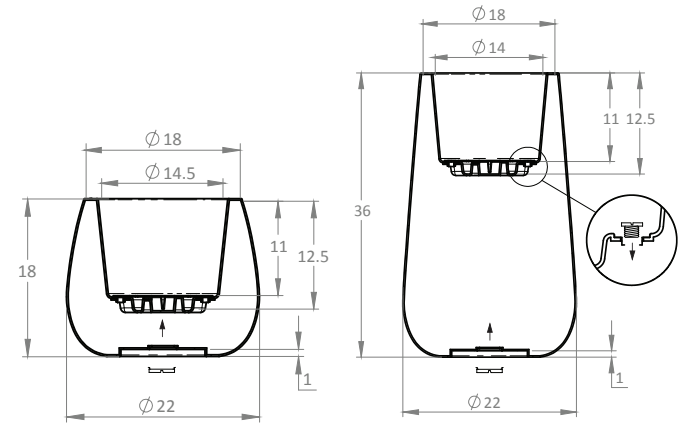


**P120**  
**BELLY PLANTER - 18"**

**P125**  
**DROP PLANTER - 36"**

Unique curves, modern look, designed and made in Canada. Ultra-resistant planters with industry-leading warranty. False bottom for natural plants with removable plugs for drainage. These planters are jaw-droppers.

<b>P120</b>	<b>BELLY PLANTER - 18"</b>	18" x 22" x 22"	LPC159
-------------	----------------------------	-----------------	--------



**5-YEAR WARRANTY**  
**ALL-WEATHER RESISTANT**  
**DRAINAGE KIT INCLUDED**

<b>P125</b>	<b>DROP PLANTER - 36"</b>	36" x 22" x 22"	LPC189
-------------	---------------------------	-----------------	--------

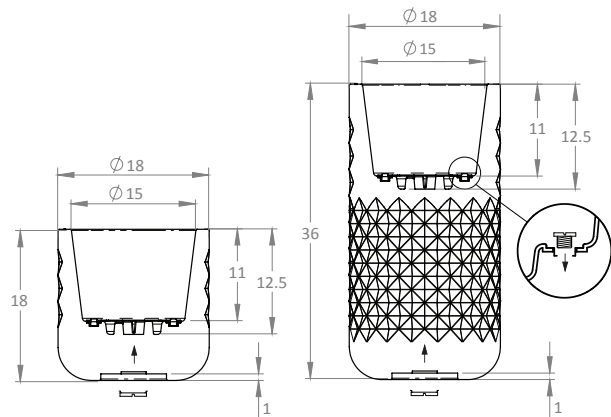




**P130**  
**LOW PYRAMID - 18"**

**P135**  
**TALL PYRAMID - 36"**

The pyramidal texture on these planters is unlike anything else. They can be left out in the freezing winter of Quebec or the hot sun of Mexico without skipping a beat. False bottom for natural plants with removable plugs for drainage.



**5-YEAR WARRANTY**  
**ALL-WEATHER RESISTANT**  
**DRAINAGE KIT INCLUDED**

**P130** **LOW PYRAMID - 18"** 18" x 18" x 18" LPC169



**P135** **TALL PYRAMID - 36"** 36" x 18" x 18" LPC199





**OUR LIMITED 5-YEAR WARRANTY**

*Le Présent is proud to offer top quality products. Each component goes through an in-depth inspection process at every stage of manufacturing. Every component issued from the rotational moulding process is under a 5-year guarantee for material and manufacturing defects. This warranty applies to the first-purchaser. The only Le Présent liability and the only recourse of the purchaser under this guarantee will be the obligation to replace or repair defective components as long as the said defects are not attributable to improper usage or usage that does not comply with the directives stated in the maintenance manual. Written permission from Le Présent is mandatory before returning a defective product for inspection. Any product found defective within the delays stated in the warranty will be repaired or replaced FOB Quebec City if it is sent to the plant with freight costs paid in advance. Le Présent reserves the right to credit or replace the product or component with new or upgraded parts. Under no circumstance would Le Présent accept any responsibility for indirect or fortuitous damages in relation thereto the sale and usage of its products. This denial will remain valid throughout the warranty and after it expires. The warranty provisions are in addition to the legal warranties and other rights and remedies pursuant to any legislation, without modifying them or excluding any part whatsoever.*



**MODELS**



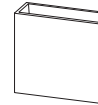
SKU	COLOR	DIMENSION	PUSD
P100.068	WHITE	36" x 16.5" x 16.5"	LPC199
P100.095	GRANITE	36" x 16.5" x 16.5"	LPC209
P100.160	BLACK	36" x 16.5" x 16.5"	LPC199
P100.195	ANTHRACITE	36" x 16.5" x 16.5"	LPC199



P105.068	WHITE	36" x 16" x 16"	LPC225
P105.095	GRANITE	36" x 16" x 16"	LPC235
P105.160	BLACK	36" x 16" x 16"	LPC225
P105.195	ANTHRACITE	36" x 16" x 16"	LPC225



P110.068	WHITE	26" x 39.5" x 14"	LPC299
P110.095	GRANITE	26" x 39.5" x 14"	LPC309
P110.160	BLACK	26" x 39.5" x 14"	LPC299
P110.195	ANTHRACITE	26" x 39.5" x 14"	LPC299



P115.068	WHITE	36" x 39.5" x 14"	LPC379
P115.095	GRANITE	36" x 39.5" x 14"	LPC389
P115.160	BLACK	36" x 39.5" x 14"	LPC379
P115.195	ANTHRACITE	36" x 39.5" x 14"	LPC379

**COLORS**

All planters are stocked in white, granite, black & anthracite. Minimum order quantities (x25) on all other colors.

WHITE	GRANIT	BLACK	ANTHR.	OCEAN	TURO.	GREEN	YELLOW	ORANGE	RED	FUSHIA	SANDST.
<b>.068</b>	<b>.095</b>	<b>.160</b>	<b>.195</b>								
STOCK						MADE TO ORDER (25 units/model)					

SKU	COLOR	DIMENSION	PUSD
P120.068	WHITE	18" x 22" x 22"	LPC159
P120.095	GRANITE	18" x 22" x 22"	LPC169
P120.160	BLACK	18" x 22" x 22"	LPC159
P120.195	ANTHRACITE	18" x 22" x 22"	LPC159
P125.068	WHITE	36" x 22" x 22"	LPC189
P125.095	GRANITE	36" x 22" x 22"	LPC199
P125.160	BLACK	36" x 22" x 22"	LPC189
P125.195	ANTHRACITE	36" x 22" x 22"	LPC189
P130.068	WHITE	18" x 18" x 18"	LPC169
P130.095	GRANITE	18" x 18" x 18"	LPC179
P130.160	BLACK	18" x 18" x 18"	LPC169
P130.195	ANTHRACITE	18" x 18" x 18"	LPC169
P135.068	WHITE	36" x 18" x 18"	LPC199
P135.095	GRANITE	36" x 18" x 18"	LPC209
P135.160	BLACK	36" x 18" x 18"	LPC199
P135.195	ANTHRACITE	36" x 18" x 18"	LPC199



## LE PRESENT MORE THAN MEETS THE EYE

### 1 FIBERGLASS PLANTERS

Lightweight, durable, elegant. Our collection of fiberglass containers offers a simple, elegant design accent to any decor; classic, contemporary, or ultra modern. A great addition of colour or contrast to a garden, patio or interior setting.

### 2 STAINLESS STEEL PLANTERS

These planters are manufactured using high-quality stainless steel. They are lightweight, impeccably finished and available in polished, satin or hammered steel finishes, in a range of shapes and sizes. A simple solution to create a contemporary design statement.

### 3 ARTIFICIAL BOTANICALS

Our chic and functional faux plant collection includes boxwoods, cedars, grasses, palms and trees. Designed with the utmost attention to detail and manufactured from top-quality silks and plastics, our plants are both luxurious and realistic. They are weatherproof, UV-protected and guaranteed to withstand the elements while being completely hassle-free.

### 4 CONTEMPORARY CERAMIC VASES

Our superior quality, handmade, ceramic vase collection that comes in a wide range of shapes and seven bold colours. Whether displayed as a stand-alone piece or holding a floral arrangement, each vase is its own, unique design statement to effortlessly accessorize any space.





[LEPRESENT.COM/CLIMA](https://lepresent.com/clima)

**HEAD OFFICE**

120-190 Chem. du Bas-de-Sainte-Thérèse,  
Blainville, QC J7B 1A7 Canada

**WAREHOUSE**

3160 Boulevard Industriel,  
Sherbrooke, QC J1L 1V8 Canada

**INFO**

**TOLL FREE**

**TEL**

[operations@lepresent.com](mailto:operations@lepresent.com)

1800 361-8783

1450 682-9495

**SCAN TO VIEW AND PURCHASE  
THE CLIMA COLLECTION.**  
Register to view wholesale pricing.

